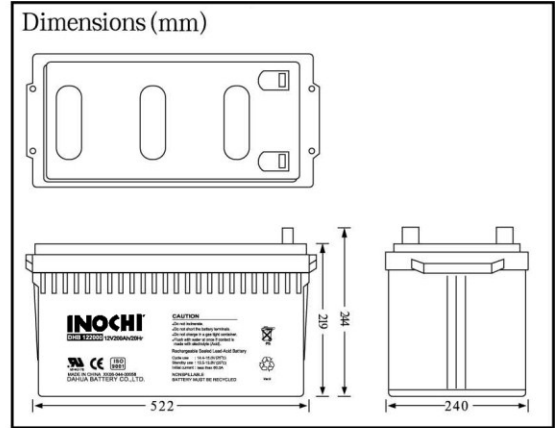




Centra-Inochi Extreme Pit Shop Corporation

12 L. Fernandez St. Balintawak, Quezon City
 Phone/Fax: (632) 364 57 22; (632) 412 33 48
 www.inochi.com.ph
 sales@inochi.com.ph

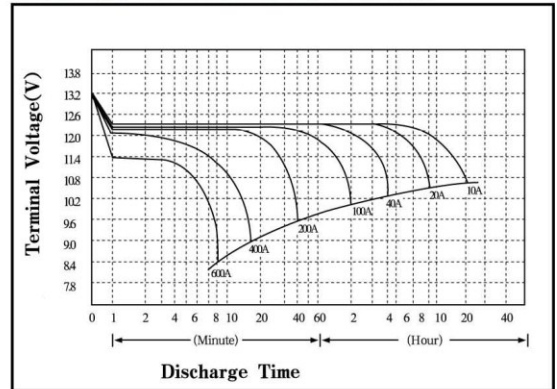
INOCHI 122000 (12V 200Ah)



Specifications

Nominal Voltage		12V
Rated Capacity(20 hour rate)		200AH
Dimensions ± 1mm	Length	522mm(20.55")
	Width	240mm(9.45")
	Height	219mm(8.62")
	Total Height (with terminals)	244mm(9.61")
Weight		Approx.67.3kg (148.37lbs)
Standard Terminal		A7

Discharge Characteristics(20°C,68°F)



Electrical Specifications

Capacity 77°F(25°C)	20 hour rate (10A)	200AH
	10 hour rate (18.6A)	186AH
	5 hour rate (34A)	170AH
	1 hour rate (114A)	114AH
Internal Resistance	Fully charged battery 77°F(25°C)	2.6m Ω
Capacity Affected by Temperature (20 hour rate)	104°F(40°C)	102%
	77°F(25°C)	100%
	32°F(0°C)	85%
	5°F(-15°C)	65%
Self-Discharge 77°F(25°C)	Capacity after 3 month storage	92%
	Capacity after 6 month storage	83%
	Capacity after 12 month storage	65%
Charge Constant Voltage	Cycle:Initial Charging Current less than60.0A Voltage14.4-15.0V77°F(25°C) Standby:Voltage13.5-13.8V77°F(25°C)	

Discharge Characteristics(0°C/32°F,40°C/104°F)

